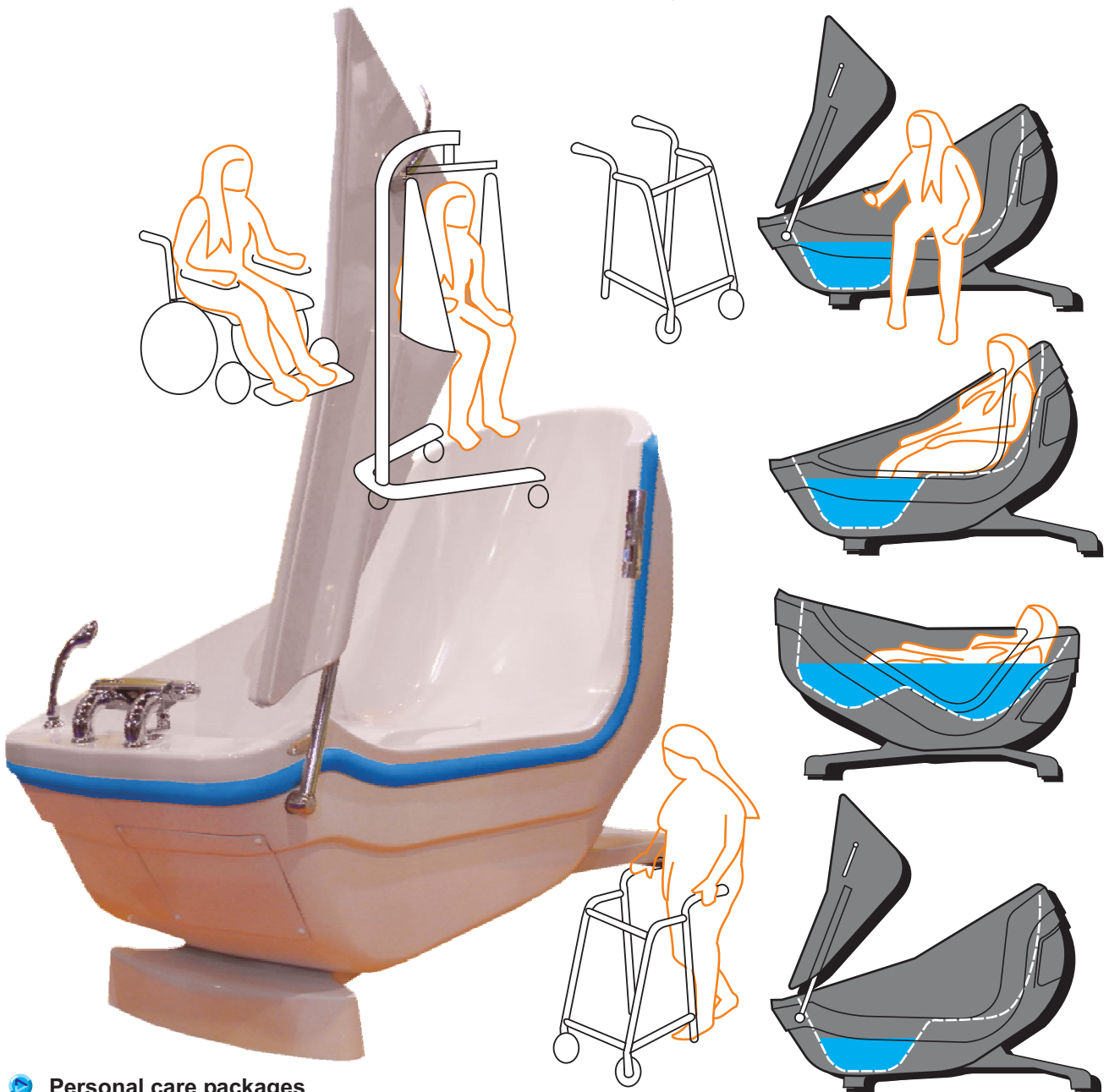


# The SWING

RECLINING BATHING SYSTEM

- universal for reduced mobility, wheelchair or hoist



- Personal care packages
- Shaped bottom - no slip!
- Choice of colour
- Lower user stress
- Increased bathing opportunity
- Free demonstration

Ideal replacement for worn-out manually operated baths.

Water pre-fill saves time. . .

Feet placed into water. .  
Door closed. . .

Reclined gently into the  
bathing position. . . .

Dry off in the bath and exit  
while the water is still  
running out . . . less chill time!



## Stanbridge Infection Control

Stanbridge Ltd, Cray Valley Road, Orpington, Kent BR5 2UB

Tel: 01689 806500 Fax: 01689 806501 email: [sales@stanbridge.co.uk](mailto:sales@stanbridge.co.uk) [www.stanbridge.co.uk](http://www.stanbridge.co.uk)

Stanbridge reserves the right to make design changes without notification

# Reclining Bathing System

## The 'Swing' reclining bath is for truly assisted bathing.

The 'Swing' reclining bath with side access allows the new priority of the personal care package to be developed for individual service users who still have some mobility and do not need hoisting. Wheelchair as well as walking access raises self motivation and personal satisfaction. Bathing time and carer attention can be significantly reduced with direct savings - client fatigue and hence stress is lower.

In most care homes there are residents who will benefit from the advantages of the 'Swing' bath.

### Easily accessible and safe.

The 'Swing' reclining bath is freestanding and is accessible from three sides for carer attention. The foot well of the bath is pre-filled with thermostatically mixed water in order to gain time and to accommodate the comfort of the patient.

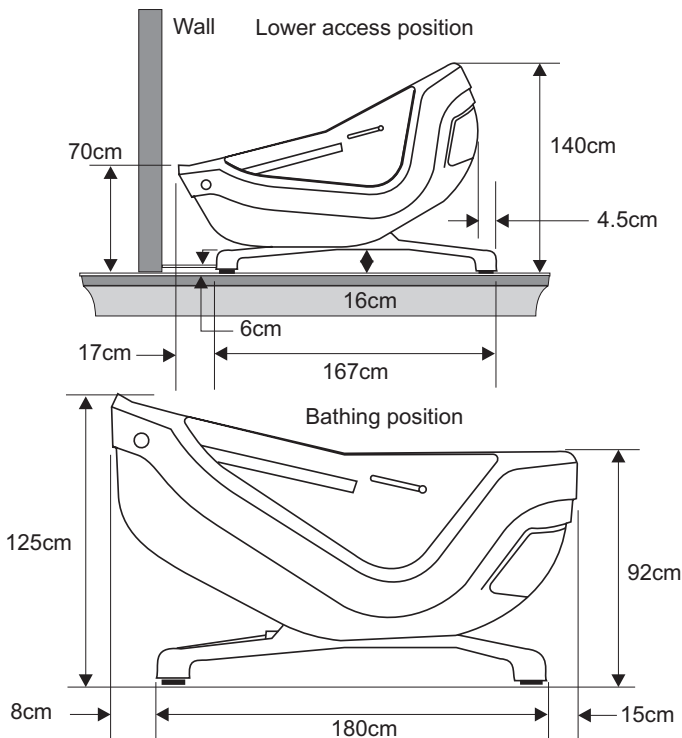
When the side door is turned upward, the large opening gives full access to ambulatory people as well as wheelchair patients with some mobility. Non-ambulatory or wheelchair patients can be easily transferred into the 'Swing' with an active or passive sling hoist - The wide opening underneath the 'Swing' chassis allows easy access for most types of hoist.

The ambulatory patients can immediately sit down in the bathtub. The carer may help turn the legs into the foot well, before closing the door. The two handgrips inside the 'Swing' offer extra security.

### Relaxed bathing for patients without fatigue for carers.

By pushing one of the buttons integrated in the bath rim at either side, the 'Swing' will gradually go from upright to reclined position. The water in the foot well will then flow smoothly to the other end of the bath to cover the occupant's body.

### Space Requirements:



- A thermostatic mixing valve (scald protected) controls the water temperature.
- Equipping the 'Swing' with an optional Air Spa will intensify the relaxation effect for the occupant.
- The carer does no longer needs to bend over for washing the feet or the head of the occupant.
- A wide groove in the bath-seat allows access for the occupant's intimate hygiene and allows water behind the back, to return to the foot well.

### Standard equipment:

- Electric powered reclining bathing system on freestanding chassis.
- Thermostatic mixer scald protected, shower with adjustable spray and flexible hose.
- Head cushion.
- Two handgrips.

### Options:

- Air Spa with 10 nozzles and pneumatic control box.
- An integrated heater maintains the bath water temperature.
- Height adjustment.
- Full integrated disinfection system for bath and air spa.
- Automatic bath fill.

