

Vacuum & Non-Vacuum Sterilisers

STERI

STERI PRACTICE 8B Vacuum for pouching

- Large capacity 12 litre chamber
- Small work top space
- Less energy - sleep mode
- Stainless steel chamber
- Simple user friendly controls

The **Steri Practice 8B** is designed for professional pouching and conforms to the latest guidelines from **MRHA*** to keep instrument sets clinically safe for out working as well as pre-pouching for use in the clinic.

The three pulse vacuum pull at the start of the cycle ensures quality air dilution in the closed pouch as well as moisture removal at the cycle end. The finished load is dry and safe to carry in under 40 minutes. A printer can be incorporated to provide a traceable record for clinical security of each load of up to 6 pouches using a 'Toast Rack'.



STERI PRACTICE 8N for Non-pouching

The **Steri Practice 8N** is for work in the practice when using unwrapped instruments - to be used immediately. This model has a fast cycle time of 14 minutes. It can be supplied with a printer to provide traceable security records.



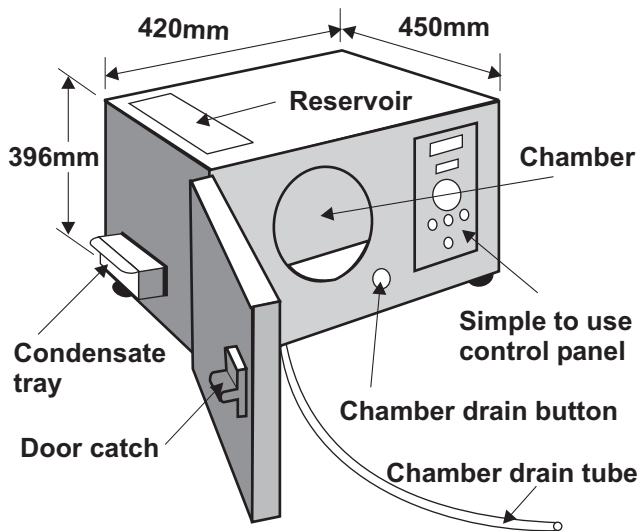
Stanbridge Infection Control

Stanbridge Ltd, Cray Valley Road, Orpington, Kent BR5 2UB

Tel: 01689 806500 Fax: 01689 806501 email: sales@stanbridge.co.uk www.stanbridge.co.uk

Stanbridge reserves the right to make design changes without notification

PRACTICE 8



Mechanical Features

Vessel size - 210mm diameter 320mm depth
 Capacity - 12 litres
 Size - H 396mm W 420mm D 450mm
 Weight **N** - 23 KGs **B** - 36 KGs

Shipping

Carton Size H 449mm W 473mm D 503mm
 Weight (KGs) **N** - 28 KGs **B** - 41 KGs

Performance

Without vacuum unwrapped instruments - 14 mins
 With vacuum for Pouching - 40 minutes

Safety features

Overheat cut out
 Overheat warning
 Under temperature abort
 Pressure relief valve
 Thermal door lock
 Double latch door
 Cycle failure warning
 Safety element
 Outer protective case
 Fail safe design
 Door closed indicator
 Membrane switches

TYPE N
NON POUCHING

TYPE B
POUCHING

FEATURES	TYPE N NON POUCHING	TYPE B POUCHING
1. Stainless Steel chamber	✓	✓
2. Fabricated to PD 5500	✓	✓
3. EN13060 compliant	✓	✓
4. Cycles 134°C for 3 minutes	✓	✓
5. 121° for 15 minutes	✓	✓
6. Manual water fill	✓	
7. User friendly controls	✓	✓
8. Cycle display	✓	✓
9. Cycle failure warning	✓	✓
10. Mains failure warned	✓	✓
11. Temperature display	✓	✓
12. Pressure gauge	✓	✓
13. Cycle counter	✓	✓
14. Test and validation ports	✓	✓
15. Rapid cycle		✓
OPTIONAL FACILITIES		
16. Vacuum for pouching		✓
17. Auto fill	✓	
18. Printed record	✓	✓
19. Rapid cycle	✓	

*MHRA

Risk management for patient safety and professional protection against acquired infection claims are the basis of the recent recommended guidelines for pouching and steriliser best practice issued by the Watchdog Agency MHRA (Medicines and Healthcare Products Regulatory Agency). In Device bulletin DB 2002 (06) www.mhra.gov.uk it says:-

"Do not process wrapped, tubular or textile products in a conventional benchtop steam steriliser - process them only in a suitable vacuum benchtop steam steriliser."