

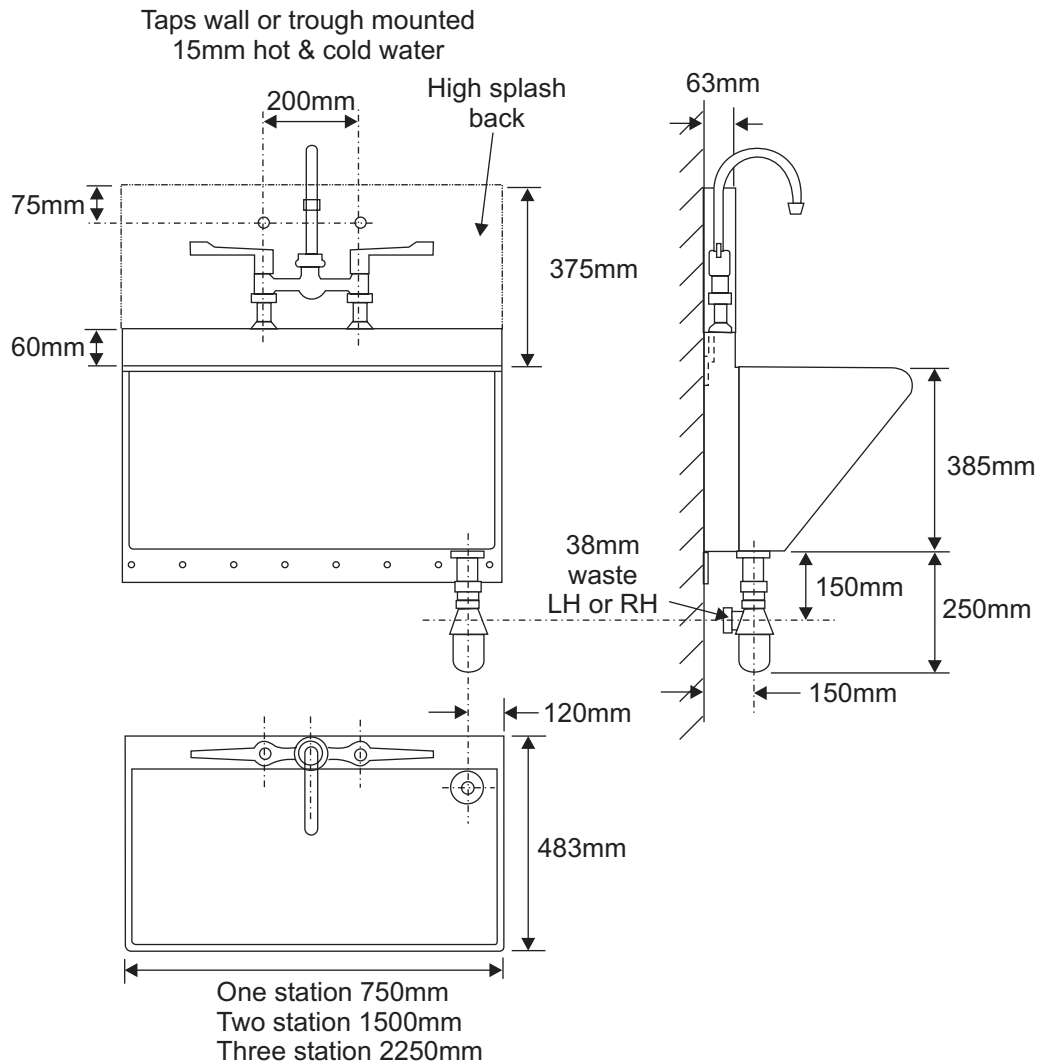
Surgeons Scrub Up Trough



Supplied as a complete assembly ready for connecting to hot and cold water and power supply

- One, two or three wash station versions
- Left or right draining with 38mm outlet
- Chrome plated 38mm waste fittings
- 63mm boxed skirting to allow for the mounting of elbow lever action mixer taps on the trough (taps can also be wall mounted)
- Chrome plated bottle trap
- Elbow lever action chrome plated mixer tap with single swivel nozzle for trough (tap holes on 200mm centres) or wall mounting. Number of taps to suit length of trough.
- Full length concealed wall mounting stainless steel joggle bracket
- Earthing terminal

Surgeons Scrub Up Trough



ALTERNATIVE FITTINGS AVAILABLE

- Stainless steel 375mm integral high splash back
- Elbow lever action chrome plated mixer tap with swivel nozzle for mounting through the 375mm high splash back
- Thermostatically controlled single lever chrome plated swivel nozzle tap for trough or wall mounting.
- Thermostatic valves
- Infra red no touch control valves with single chrome plated nozzle mounted through 375mm high splash back. (This requires 13A electric supply)
- Knee operated thermostatically controlled valve with single chrome plated nozzle for mounting through the 375mm high splash back
- Knee operated valve for pre-mixed water with chrome plated nozzle for mounting through the 375mm high splash back
- Stainless steel front leg supports
- Stainless steel cover to conceal the bottle trap
- Special lengths made to order - N.B. lengths over 3000mm require strengthening bars.