

PICO

STERI

WASHER DISINFECTORS

Validated 'Table-Top' decontamination to HTM2030 and ENISO

- One touch safety and simplicity
- Low-cost and compact
- Safe and reliable
- Automated dosing

Compatible with

- General instruments
- Fine Lumen instruments
- Complex instruments
- Dental Handpieces
- Phaco Handpieces

PICOstandard

Recommended for general surgery

The Pico Standard 'table top' washer disinfector addresses new legislation brought about by the increases concern over transmissible spongiform encephalopathy, vCJD and other cross infection risks by 'flushing' (washing the outside of instruments removing the biohazard and soil residues.

PICOflush

Recommended for dentists

Powerful flushing inside hollow or Lumended devices ensures that complex/critical instruments are free from soil residues inside and out.

PICOpowerflush

Recommended for Ophthalmologists

Ultra fine Lumen devices such as Dental and Ophthalmic can only be reprocessed using controlled high pressure flushing and rinsing systems. The Pico Power Flush, has been validated on 'high challenge' PCD's such as multi (3) lumen ophthalmic instruments where the outer diameter of device is less than 0.8mm.



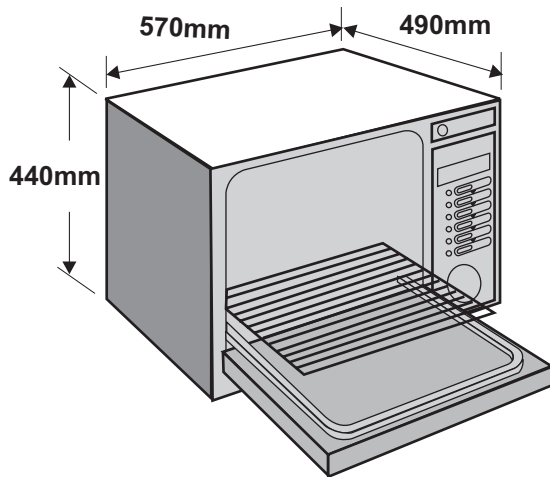
Stanbridge Infection Control

Stanbridge Ltd, Cray Valley Road, Orpington, Kent BR5 2UB

Tel: 01689 806500 Fax: 01689 806501 email: sales@stanbridge.co.uk www.stanbridge.co.uk

Stanbridge reserves the right to make design changes without notification

PICO



Features

- Fully automatic process
- LCD auto prompt display
- One touch start
- Program sequence indicator
- Automatic water treatment system
- Stainless steel debris filter
- Microprocessor control
- Serial printer port
- Electronic cycle counter

Mechanical Features

- Vessel size - Depth 410mm Width 430mm
- Height 310mm
- Wash chamber size 52 litres
- Weight 30kg

Performance

- Total cycle 35 minutes including rinse and disinfection.
- 99.9% or greater removal of blood and protein in less than 15minutes.

Safety Features

- Overflow/flood protection
- Electronically locking door
- Double skin viewing window
- Duplex error detection system
- Dual temperature monitoring
- Audible warning beeper
- Overflow alarm
- Automatic water treatment low level alarm